



Bimetal thermometer

Model No. EFS-SS4070

1-0	1-1	1-2	1-3	1-4	1-5	1-6	1-7	1-8	1-9	1-10
EFS4070	Bottom	0-100	Scale	125	500	Brass	6	1/4	NPT	Fixed

1-0 EFS4070

-Bimetal thermometer

1-1 Type

A	Bottom
B	Back
C	Back Bottom
D	Every angle

1-2 Range

See table 1

1-3 Scale

C	°C
F	°F
D	Dual Scale

1-4 Dial size

1	50
2	63
3	75
4	100
5	125
6	150

1-10 Connection type

F	fixed
U	sliding union

1-9 Thread type

-PT
-G
-NPT

1-8 Connection size

W	1/4
X	3/8
Y	1/2
Z	1

1-7 Stem Diameter(mm)

M	6
N	6.4
O	8
P	10
Q	20

1-6 Stem Material

-ss 304
-ss 316
-ss 316 L
-Monel
-Hastelloy
-inconel

1-5 up to 2000(mm)



Bimetal thermometer

Model No. EFS-SS4070



EFS-SS4070

Summary

This instrument is designed to adjust the measuring angle as you want to . Therefore, you can change the location as your own discretion and measure it.

Safety Management

- Do not give impact during transportation, installation, and usage.
- Be sure to install a protecting device where exist vibration.
- Avoid places where exist a lot of steam and poisonous gas.

Purpose of Use

- A place where decoding direction of indication requires changes by own discretion.
- Various boilers
- Petrochemistry plant, food processing, etc

Production Specification

- ▶ Accuracy
 - $\pm 1.0\%$ of Full Scale
 - $\pm 2.0\%$ of Full Scale
- ▶ Scale Range
 - $-30^{\circ}\text{C} \sim 650^{\circ}\text{C}$
- ▶ Common Temperature
 - 75% of Full Scale

Product Specification

+ Case

. STS 304

+ Cover

. STS 304
. Slip-on-Fit
. bezel

+ Connection

. STS 304/316
. STS 304/316
. PF . PT . NPT \leftarrow 1/2,1/4,3/8,1

+ Window

. General glass
. Tempered Safety glass
. Laminated Safety glass

+ Dial

. Aluminum
. color of white
. Black gradation and characters
. Dual or single scale

+ Pointer

. Aluminum
. Black coating

+ Well

. STS 304, STS 316
. Titanium , Monel , hastelloy
. Teflon Lining , Glass lining

+ Zero

. Adjustable screw
. Adjustable pointer

+ option

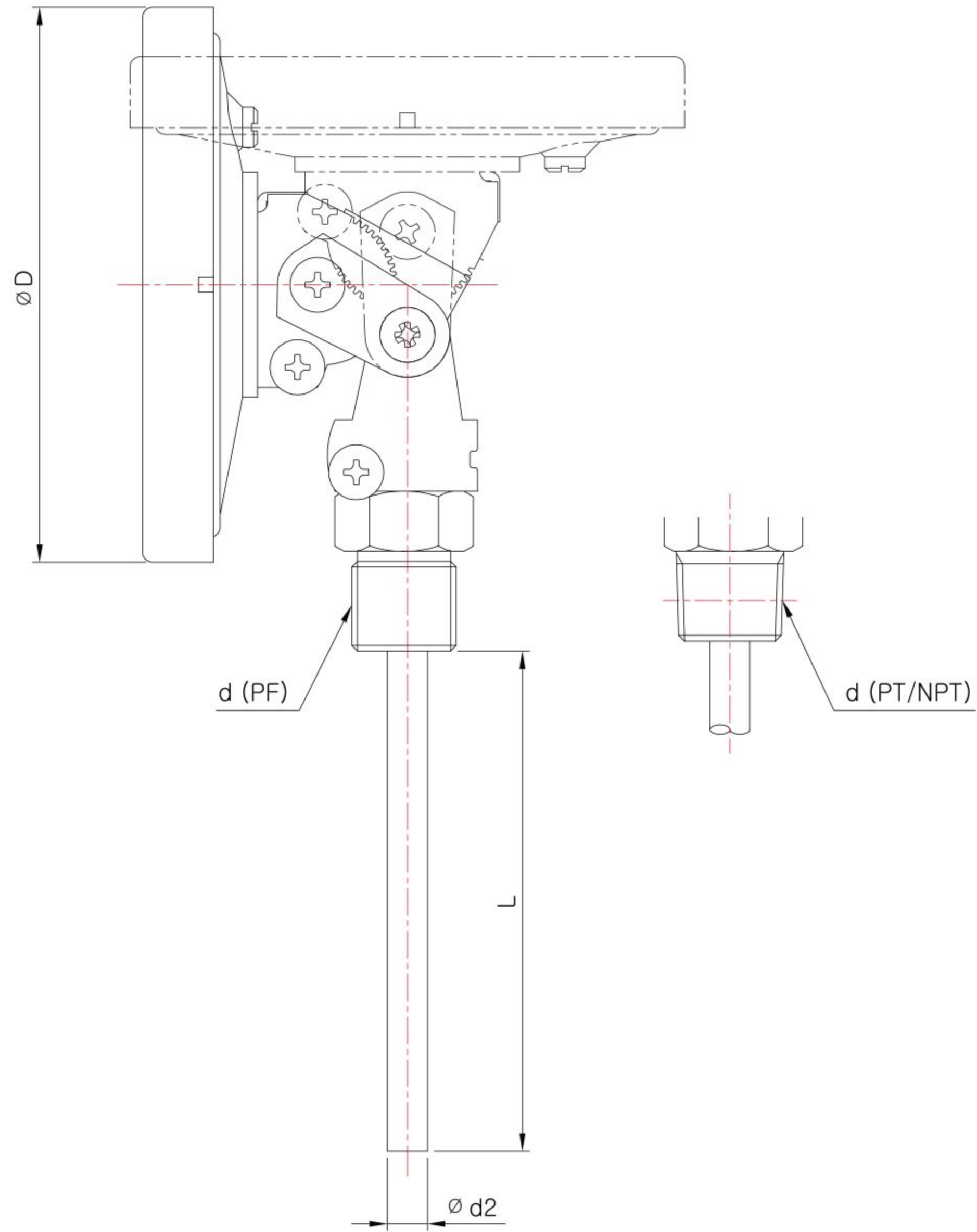
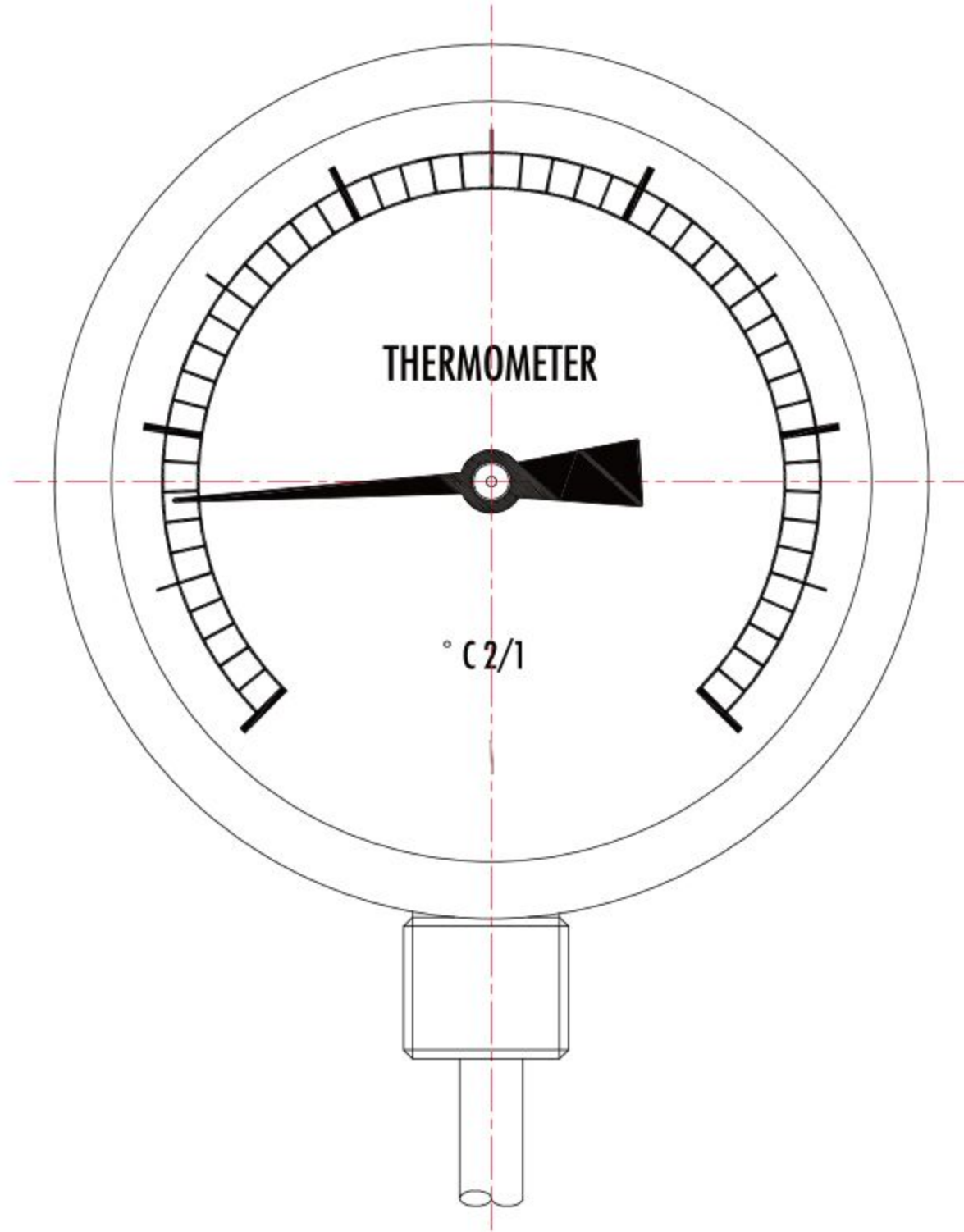
. Electrical contact



Bimetal thermometer

Model No. EFS-SS4070

Model No. | EFS-SS4070



See table 1

Range	Minimum Graduation
-20 ~ 80	2
-20 ~ 100	2
0 ~ 50	1
0 ~ 80	2
0 ~ 100	2
0 ~ 120	2
0 ~ 150	2
0 ~ 200	5
0 ~ 250	5
0 ~ 300	5
0 ~ 350	5
0 ~ 400	10
0 ~ 500	10



Type A(Bottom)



Type B(Back)



Type c(Back Bottom)